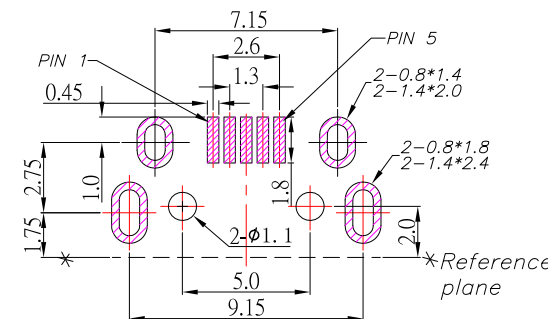
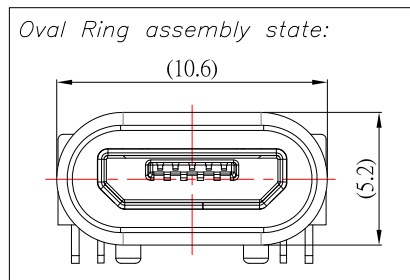
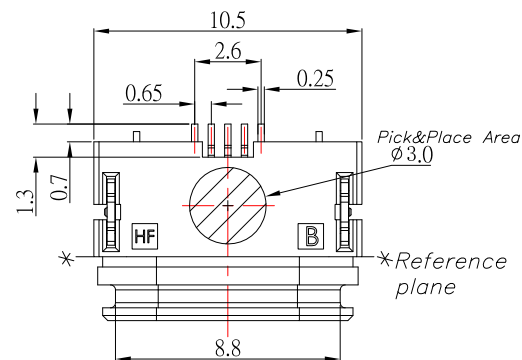
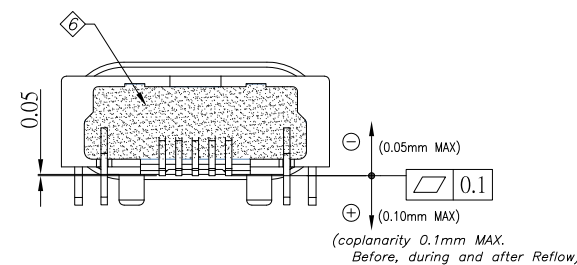
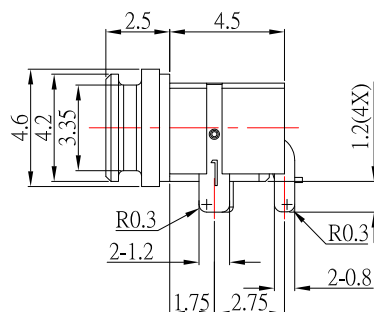
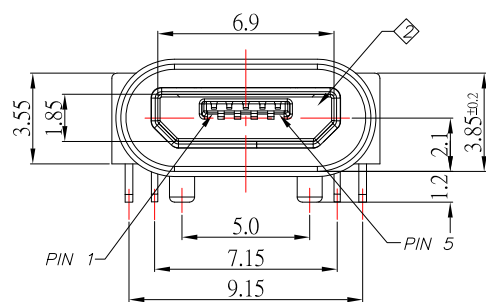


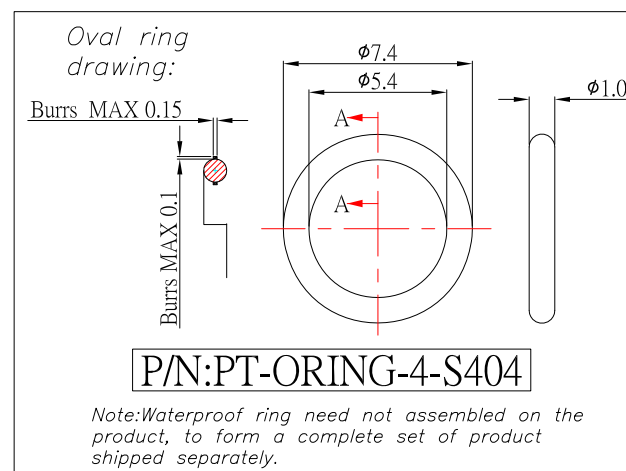
IPX7



P.C.B LAYOUT MOUNTING PATTERN
TOP VIEW



- NOTES:
- MATERIAL:
- 1.1 HOUSING: PA9T
 - 1.2 INSERT MOLDING: LCP
 - 1.3 CONTACT: COPPER ALLOY
 - 1.4 SHELL: SUS
 - 1.5 TERMINAL: BRASS
 - 1.6 WATERPROOF RING: SILICONE RUBBER
- FINISH:
- 2.1 CONTACT: PLATED GOLD IN MATING AREA ;
TIN PLATED ON SOLDER BALLS ;
NICKEL UNDER PLATED OVERALL
 - 2.2 SHELL: NICKEL UNDER PLATED SURFACE LAYER
 - 2.3 TERMINAL: TIN PLATED
- 3.SPECIFICATION:
- 3.1 RATING: 1.8A(PIN1&5) , 0.5A(PIN2&3&4)
 - 3.2 DIELECTRIC WITHSSTANDING VOLTAGE: 300 VAC
 - 3.3 CONTACT RESISTANCE: 30 mΩ MAX.
 - 3.4 INSULATION RESISTANCE: 100 MΩ MIN.



5	新增ORING料號	Jack	031519
4	更新MODLE	Jack	030719
3	更新料號	Jack	030619
2	更新圖面	Jack	102318
1	更新為A0版	Jack	072018
ITEM NO	DESCRIPTION	DRAWN	DATE

東莞市高迪電子有限公司
DONG GUAN GAO DI ELECTRONICS CO., LTD

TOLERANCE UNLESS OTHERWISE STATED:

Up to 5	±0.2
Above 5 ~ 15	±0.3
Above 15 ~ 30	±0.4
Above 30 ~ 50	±0.5
Angle	±0.3°

3RD. ANGEL'S

UNITS MM

DRAWN BY:	DATE	MAT'L	TITLE	CONNECTOR
Jack Lu	03/15/19			
CHECKED BY:	DATE	FINISH	MODLE	MICRO USB 5PF B TYPE 防水型 IPX7 後檔板4.6mm
Jacky Chen	03/15/19			
APPROVED BY:	DATE	SCALE	DWG NO.	MRUSB-5B-WP7-S404
Tony Kao	03/15/19	1 : 1		
		SHEET NO.	PART NO.	MRUSB-5B-WP7-S404
		1 of 1		
				SIZE A4
				VER R5